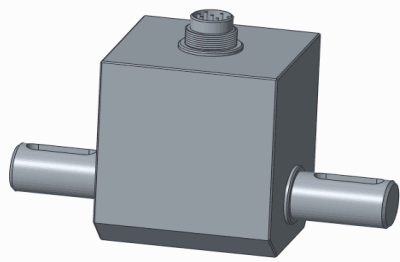


## Model: T50B



### 特点 features

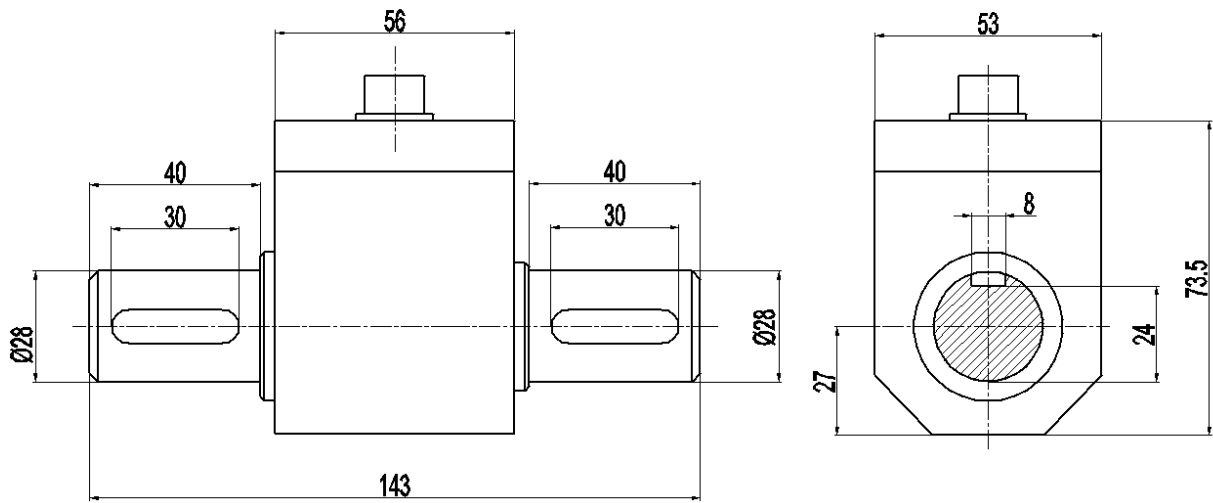
1. 微型设计 small size type
2. 轴轴设计 shaft to shaft rotary
3. 最大转速 4000RPM max speed
4. 信号稳定可靠 high stable analog

### 技术参数 Technical data

### 单位 Unit

量程 Capacity	Nm	200 300 500
灵敏度 Sensitivity	mV/V	1.5
灵敏度误差 Sensitivity tolerance	%	-10%~+10%
非线性 Non-linearity	% of Cn	±0.3
滞后 Hysteresis	% of Cn	±0.3
蠕变 Creep、DR	%/30min	±0.3
重复性 Repeatability	% of Cn	±0.3
零点误差 Zero balance	mV/V	±0.05
输入电阻 Input resistance	Ω	350±30
输出电阻 Output resistance	Ω	350±3
温度对零点的影响 Temperature effective on zero	% of Cn	±0.05
温度对灵敏度的影响 Temperature effective on sensitivity	% of Cn	±0.05
标准激励电压 Reference voltage	V	5
工作电压范围 Operation voltage	V	1...15
额定温度范围 Nominal temperature range	°C	-10~+40
工作温度范围 Service temperature range	°C	-20~+50
储藏温度范围 Storage temperature range	°C	-25~+70
绝缘电阻 Insulation resistance	GΩ/100V	>5
安全过载 Safe load limit	% of Emax	150
极限过载 Breaking load limit	% of Emax	200
防护等级 Protection class		IP65

## 尺寸 Size



## 订购代码 Ordering Information

Type	T50B	<input type="checkbox"/>	<input type="checkbox"/>	<input type="checkbox"/>
Range Nm		<div style="display: flex; align-items: center;"> <div style="border: 1px solid black; width: 20px; height: 20px; margin-right: 5px;"></div> <div style="border: 1px solid black; width: 20px; height: 20px; margin-right: 5px;"></div> <div style="border: 1px solid black; width: 20px; height: 20px;"></div> </div>		
200				
300				
500				
Output outside		<div style="display: flex; align-items: center;"> <div style="border: 1px solid black; width: 20px; height: 20px; margin-right: 5px;"></div> <div style="border: 1px solid black; width: 20px; height: 20px; margin-right: 5px;"></div> <div style="border: 1px solid black; width: 20px; height: 20px;"></div> </div>		
0: mv / v				
1: ±5V				
2: ±10V				
3: 4-20mA				
Cable		<div style="display: flex; align-items: center;"> <div style="border: 1px solid black; width: 20px; height: 20px; margin-right: 5px;"></div> <div style="border: 1px solid black; width: 20px; height: 20px; margin-right: 5px;"></div> <div style="border: 1px solid black; width: 20px; height: 20px;"></div> </div>		
0: 3m				
1: 5m				