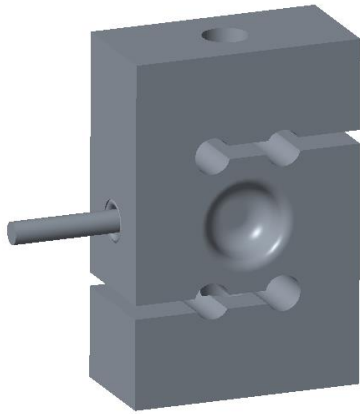


## Model: 301C



### 特点 features

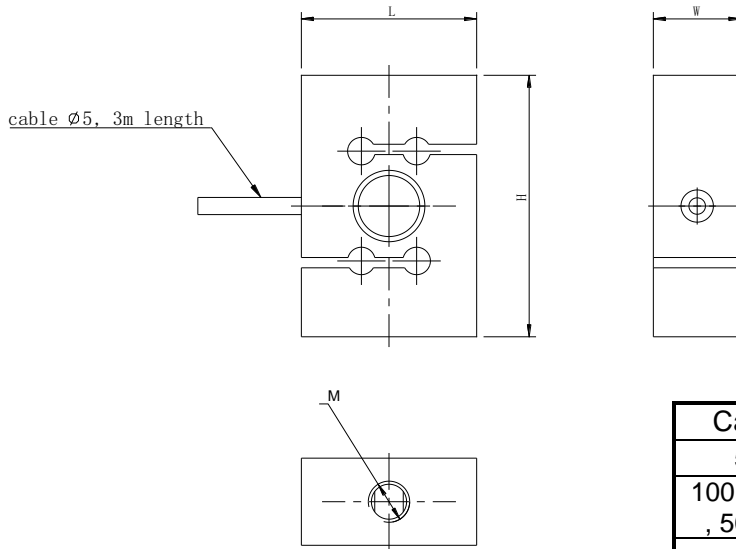
1. 微型尺寸设计  
small size type
2. 优质不锈钢材料  
stainless steel
3. 拉压双向设计  
tension&compression
4. 高防护等级  
high protection class

### 技术参数 Technical data

### 单位 Unit

|  |           |                                  |
|--|-----------|----------------------------------|
| 量程 Capacity                                      | N         | 500 1k 2k 5k 10k<br>20k 50k 100k |
| 灵敏度 Sensitivity                                  | mV/V      | 2.0                              |
| 灵敏度误差 Sensitivity tolerance                      | %         | -10%~+10%                        |
| 非线性 Non-linearity                                | % of Cn   | ±0.05                            |
| 滞后 Hysteresis                                    | % of Cn   | ±0.05                            |
| 蠕变 Creep、DR                                      | %/30min   | ±0.05                            |
| 重复性 Repeatability                                | % of Cn   | ±0.05                            |
| 零点误差 Zero balance                                | mV/V      | ±0.05                            |
| 输出电阻 Input resistance                            | Ω         | 350±30                           |
| 输出电阻 Output resistance                           | Ω         | 350±3                            |
| 温度对零点的影响<br>Temperature effective on zero        | % of Cn   | ±0.05                            |
| 温度对输出的影响<br>Temperature effective on sensitivity | % of Cn   | ±0.05                            |
| 标准激励电压 Reference voltage                         | V         | 5                                |
| 工作电压范围 Operation voltage                         | V         | 1...15                           |
| 额定温度范围 Nominal temperature range                 | °C        | -10~+40                          |
| 工作温度范围 Service temperature range                 | °C        | -10~+50                          |
| 储藏温度范围 Storage temperature range                 | °C        | -25~+70                          |
| 绝缘电阻 Insulation resistance                       | GΩ/100V   | >5                               |
| 安全过载 Safe load limit                             | % of Emax | 150                              |
| 极限过载 Breaking load limit                         | % of Emax | 200                              |
| 防护等级 Protection class                            |           | IP68                             |

## 尺寸 Size



| Capacity                   | L(mm) | H(mm) | W(mm) | M       |
|----------------------------|-------|-------|-------|---------|
| 50kg,                      | 50.8  | 63.5  | 25.4  | M8      |
| 100kg,200kg<br>, 500kg, 1t | 50.8  | 76.2  | 25.4  | M12     |
| 2t, 3t                     | 76.2  | 108   | 38.1  | M18×1.5 |
| 5t                         | 76.2  | 108   | 38.1  | M24×2   |
| 10t                        | 127   | 178   | 51    | M24×2   |

## 订购代码 Ordering Information

Type 301C

### Range

| 1: N | 2:kg | 3:lb |
|------|------|------|
| 500  | 50   | 100  |
| 1k   | 100  | 200  |
| 2k   | 200  | 500  |
| 5k   | 500  | 1k   |
| 10k  | 1k   | 2k   |
| 20k  | 2k   | 5k   |
| 50k  | 5k   | 10k  |
| 100k | 10k  | 20k  |

### Accuracy

|          |
|----------|
| 0: 0.05% |
| 1: 0.02% |

### Output

|               |
|---------------|
| 0: mv / v     |
| 1: 0-5V       |
| 2: 0-10V      |
| 3: 4-20mA     |
| 4: RS422/485  |
| X: Customized |

### Cable Length

|         |
|---------|
| 0: 1.5m |
| 1: 3m   |
| 2: 5m   |