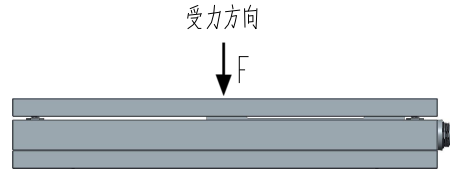
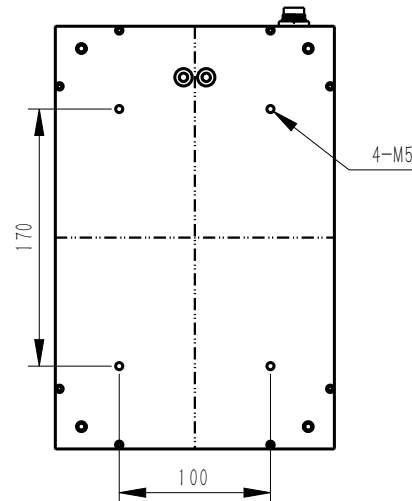
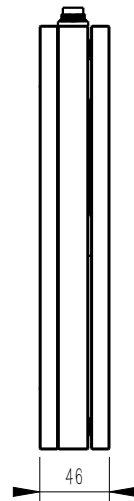
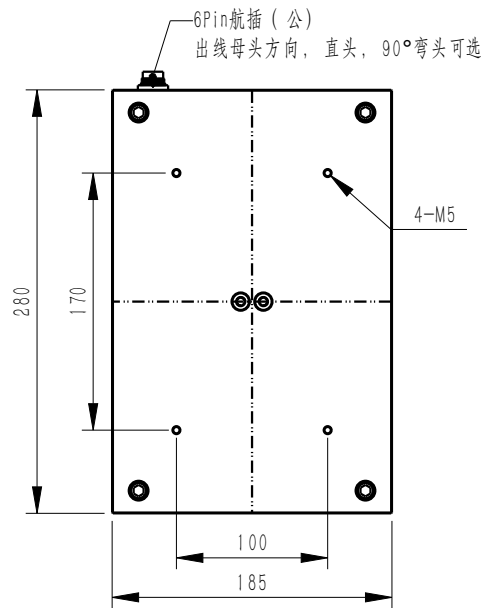


| MARK | DATE | ECO NO. | DESCRIPTION | REV. | DESIGN |
|------|------|---------|-------------|------|--------|
| ① | | | 首版发行 | 1 | Eric |



| Strain Force sensor | Type | BDM4 | | |
|---|------|--------|-------|-------|
| Measuring range Fz, max. 额定范围 | kg | 10.20 | 30 | 50 |
| Maximum range 最大加载 | kg | 50 | 100 | 150 |
| Maximum preload 最大增载 ¹⁾ | kg | 3 | 9 | 15 |
| Typical readability 典型分度值 | g | 0.1 | 1 | 1 |
| Linearity deviation 线性偏差 \leq | g | 1 | 5 | 20 |
| Repeatability 重复性 \leq | g | 0.3 | 3 | 30 |
| Eccentric load deviation (test) 偏载 \leq | g | 1/5g | 1/10g | 2/20g |
| Sensitivity temperature drift 温度漂移 \leq | g/°C | 1 | 3 | 5 |
| Settling time 稳定测量时间 \leq | s | 3 | | |
| Temperature range operating 工作温度范围 | °C | 5~40 | | |
| Compensated temperature range 温度补偿范围 | °C | 15~30 | | |
| Storage temperature range 存储温度范围 | °C | -20~70 | | |
| Relative air humidity range 空气湿度范围 | % | 20~80 | | |
| Warm-up time after power-on 预热时间 | min | 10~30 | | |
| Protection class 防护等级 | | IP67 | | |
| Power supply 激励电压 ²⁾ | Vdc | 10~29 | | |
| Weight 重量 | g | 800 | | |

¹⁾: 可以在测量台面上增加安装附件的最大重量
²⁾: 当选择数字通讯板外置时, 其激励电压范围 3-12V



- 测量范围10kg~50kg
- 高精度应变原理
- 安装简单灵活
- 优质铝合金材料外壳, 外形美观
- RS485/232通讯
- 2点标定, 多点标定可选

| 尺寸 | A | B | C | D |
|----------|------|-----|-----|-----|
| X≤4 | 0.05 | 0.1 | 0.2 | 0.3 |
| 4<X≤16 | 0.1 | 0.2 | 0.3 | 0.4 |
| 16<X≤63 | 0.2 | 0.3 | 0.4 | 0.7 |
| 63<X≤250 | 0.3 | 0.4 | 0.5 | 1.2 |
| X>250 | 0.4 | 0.5 | 0.8 | 2.0 |

BEDELL

苏州比得电子技术有限公司
suzhou Bedell Electric Technology Ltd

| | | | | | | | | |
|----------|------|------|----------|----------|------------|--|--|--|
| DESIGN | Eric | DATE | 23/09/12 | TITLE | Model BDM4 | | | |
| VERIFIED | | | | PART NO. | | | | |
| APPROVED | | | | | | | | |

| UNITS | SCALE | PAGE | REV |
|-------|-------|------|-----|
| mm | 1:1 | 1/1 | 1 |