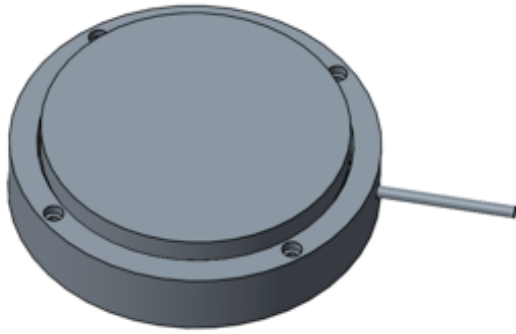


Model: 105B



特点 features

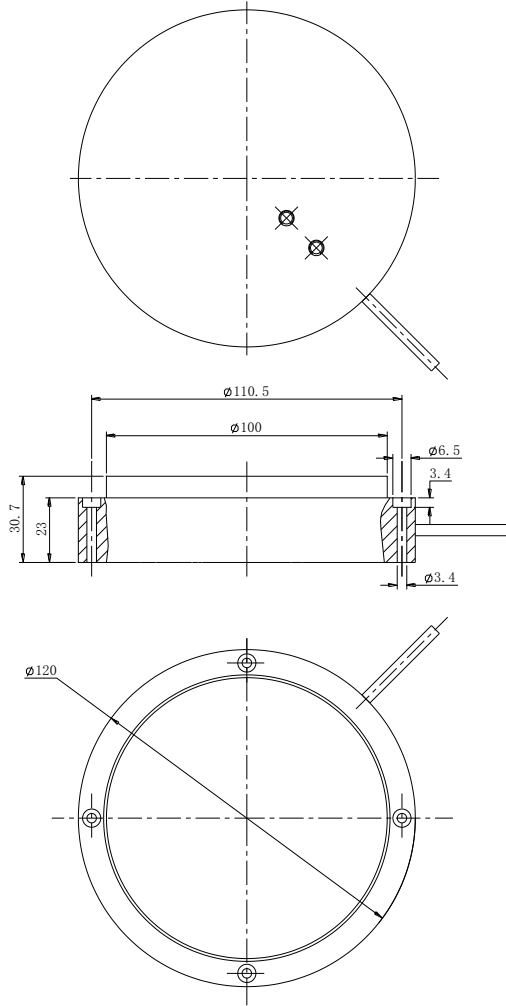
1. 微型定制设计
small customized cell type
2. 优质不锈钢材料
stainless steel
3. 单压型
compression
4. 高密封性能 IP65
high protection class

技术参数 Technical data

单位 Unit

量程 Capacity	g	100 200 500 1k
灵敏度 Sensitivity	mV/V	1.0
灵敏度误差 Sensitivity tolerance	%	-10%~+10%
非线性 Non-linearity	% of Cn	±0.05
滞后 Hysteresis	% of Cn	±0.05
蠕变 Creep、DR	%/30min	±0.05
重复性 Repeatability	% of Cn	±0.05
零点误差 Zero balance	mV/V	±0.05
输入电阻 Input resistance	Ω	350±30
输出电阻 Output resistance	Ω	350±3
温度对零点的影响 Temperature effective on zero	% of Cn	±0.05
温度对灵敏度的影响 Temperature effective on sensitivity	% of Cn	±0.05
标准激励电压 Reference voltage	V	5
工作电压范围 Operation voltage	V	1...15
额定温度范围 Nominal temperature range	°C	-10~+40
工作温度范围 Service temperature range	°C	-10~+50
储藏温度范围 Storage temperature range	°C	-25~+70
绝缘电阻 Insulation resistance	GΩ/100V	>5
安全过载 Safe load limit	% of Emax	120
极限过载 Breaking load limit	% of Emax	150
防护等级 Protection class		IP65

尺寸 Size



订购代码 Ordering Information

Type 105B

Range

1: N	2:g	3:lb
1	100	0.2
2	200	0.5
5	500	2
10	1000	2

Accuracy

0: 0.05%
1: 0.03%

Output

0: mv / v
1: 0-5V
2: 0-10V
3: 4-20mA
4: RS422/485

Length

1: 3m
2: 5m

