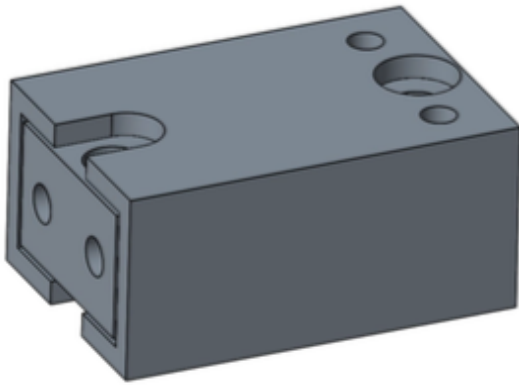


Model: 105A



特点 features

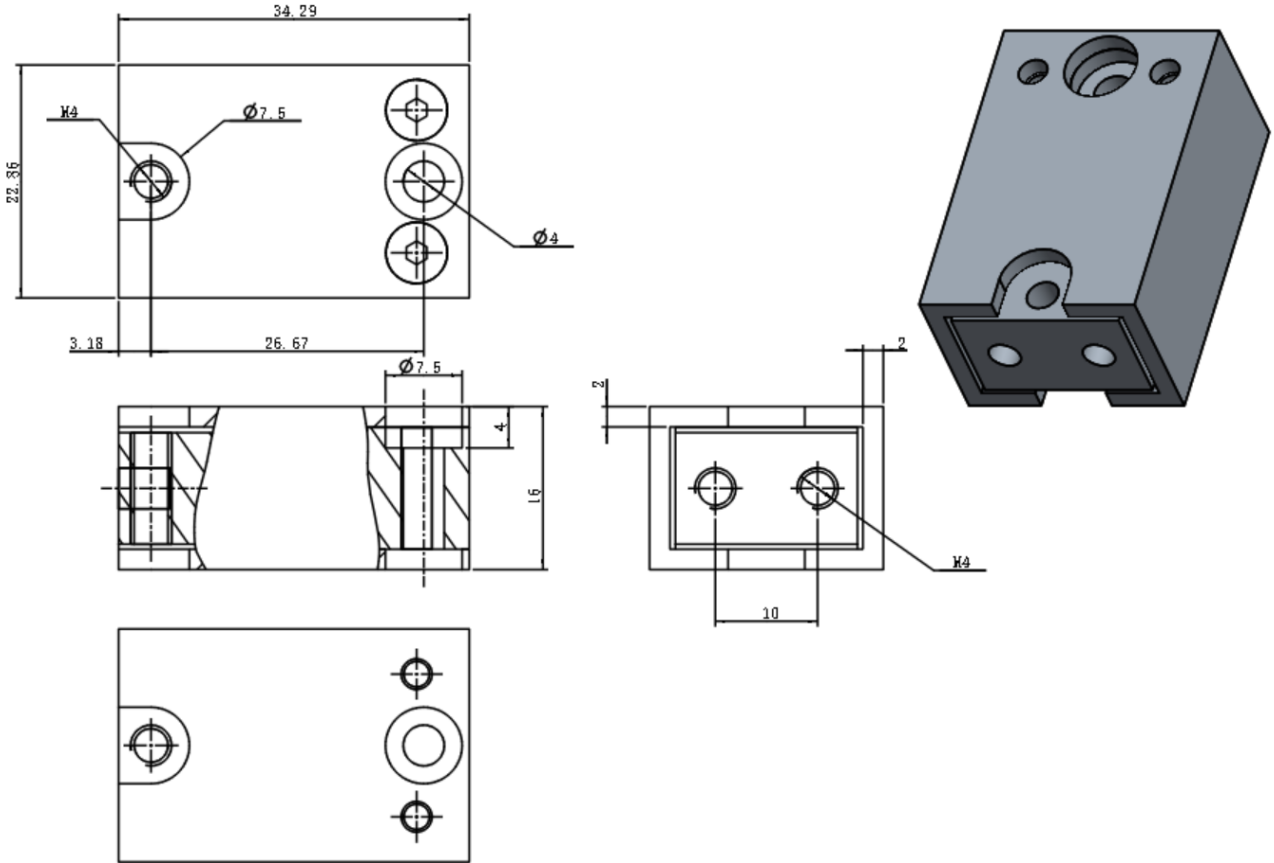
1. 微型定制设计
small customized cell type
2. 优质不锈钢材料
stainless steel
3. 拉压型
tension&compression
4. 高密封性能 IP65
high protection class

技术参数 Technical data

单位 Unit

| | | |
|---|-----------|-------------------|
| 量程 Capacity | g | 50 100 200 500 1k |
| 灵敏度 Sensitivity | mV/V | 1.0 |
| 灵敏度误差 Sensitivity tolerance | % | -10%~+10% |
| 非线性 Non-linearity | % of Cn | ±0.05 |
| 滞后 Hysteresis | % of Cn | ±0.05 |
| 蠕变 Creep、DR | %/30min | ±0.05 |
| 重复性 Repeatability | % of Cn | ±0.05 |
| 零点误差 Zero balance | mV/V | ±0.05 |
| 输入电阻 Input resistance | Ω | 350±30 |
| 输出电阻 Output resistance | Ω | 350±3 |
| 温度对零点的影响 Temperature effective on zero | % of Cn | ±0.05 |
| 温度对灵敏度的影响 Temperature effective on sensitivity | % of Cn | ±0.05 |
| 标准激励电压 Reference voltage | V | 5 |
| 工作电压范围 Operation voltage | V | 1...15 |
| 额定温度范围 Nominal temperature range | °C | -10~+40 |
| 工作温度范围 Service temperature range | °C | -10~+50 |
| 储藏温度范围 Storage temperature range | °C | -25~+70 |
| 绝缘电阻 Insulation resistance | GΩ/100V | >5 |
| 安全过载 Safe load limit | % of Emax | 150 |
| 极限过载 Breaking load limit | % of Emax | 200 |
| 防护等级 Protection class | | IP65 |

尺寸 Size



订购代码 Ordering Information

Type 105A

Range

| 1: N | 2:g | 3:lb |
|------|------|------|
| 0.5 | 50 | 0.1 |
| 1 | 100 | 0.2 |
| 2 | 200 | 0.5 |
| 5 | 500 | 2 |
| 10 | 1000 | 2 |

Accuracy

| |
|----------|
| 0: 0.05% |
| 1: 0.03% |

Output

| |
|--------------|
| 0: mv / v |
| 1: 0-5V |
| 2: 0-10V |
| 3: 4-20mA |
| 4: RS422/485 |

Length

| |
|-------|
| 1: 3m |
| 2: 5m |

