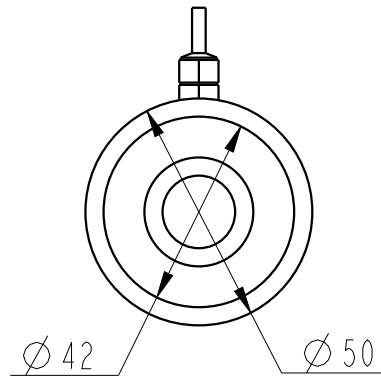
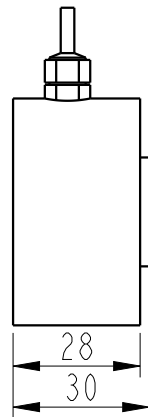
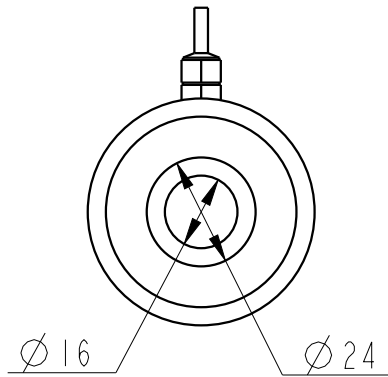
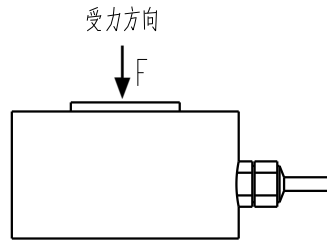
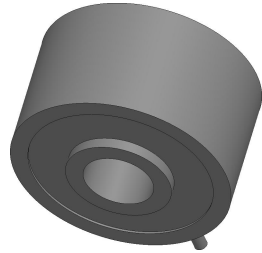


客户图



| MARK | DATE | ECO NO. | DESCRIPTION | REV. | DESIGN |
|------|------|---------|-------------|------|--------|
| ① | | | 首版发行 | 1 | Eric |

产品参数

| | |
|---------------------------------------|--|
| 测量范围 Rated capacity | 20kN |
| 非线性 Non-linearity | $\pm 0.1\%$ of Cn |
| 滞后 Hysteresis | $\pm 0.1\%$ of Cn |
| 蠕变及蠕变恢复 Creep, DR | $\pm 0.1\%$ F.S./10min |
| 灵敏度 Rated output, typical | 1.05~2.0mV/V |
| 零点误差 Zero Balance | $\pm 0.04\text{mV/V}$ |
| 工作温度范围 Temperature Range, operating | -20~50°C |
| 补偿温度范围 Temperature Range, compensated | -10~40°C |
| 温度对输出的影响 Temperature Effect on Output | $\pm 0.1\%$ of rated output/10°C |
| 温度对零点的影响 Temperature Effect on Zero | $\pm 0.1\%$ of rated output/10°C |
| 输入电阻 Output Impedance | 750 \pm 50 Ω |
| 输出电阻 Output Impedance | 700 \pm 5 Ω |
| 标准激励电压 Excitation Voltage, typical | 5-15VDC |
| 最大激励电压 Excitation Voltage, maximum | 15VDC |
| 绝缘电阻 Insulation Resistance | $\geq 5000\text{M}\Omega/50\text{VDC}$ |
| 安全过载 Maximum Load, safe | 120% of rated output |
| 破坏性过载 Maximum Load, ultimate | 150% of rated output |
| 防护等级 Protection class | IP65 |
| 材料 construction | Stainless steel |
| 接线定义 Wiring way | Exc+: Red Exc-: Black Sig+: Green Sig-: White |

- 中孔式设计 Thru-hole type
- 单压型 Compression only
- 防护等级 IP65 protection
- 优质不锈钢材料 Stainless steel

BEDELL

苏州比得电子有限公司
suzhou Bedell Electric Technology Ltd

| 未标注尺寸公差 (±) | | | | |
|--------------|------|-----|-----|-----|
| 尺寸 | A | B | C | D |
| X ≤ 4 | 0.05 | 0.1 | 0.2 | 0.3 |
| 4 < X ≤ 16 | 0.1 | 0.2 | 0.3 | 0.4 |
| 16 < X ≤ 63 | 0.2 | 0.3 | 0.4 | 0.7 |
| 63 < X ≤ 250 | 0.3 | 0.4 | 0.5 | 1.2 |
| X > 250 | 0.4 | 0.5 | 0.8 | 2.0 |

| | | | | | | | | |
|----------|------|------|----------|----------|-------------|------|-----|---|
| DESIGN | Eric | DATE | 23/08/07 | TITLE | Model_100FD | | | |
| VERIFIED | | | | PART NO. | | | | |
| APPROVED | | | | | | | | |
| | | | | UNITS | SCALE | PAGE | REV | |
| | | | | | mm | 1:1 | 1/1 | 1 |