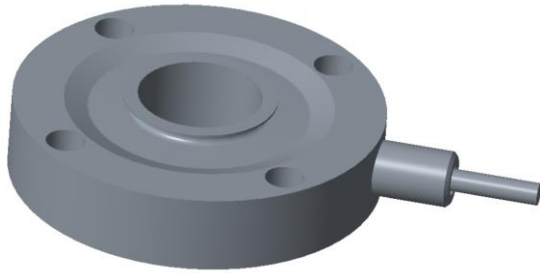


Model: 100FA25



特点 features

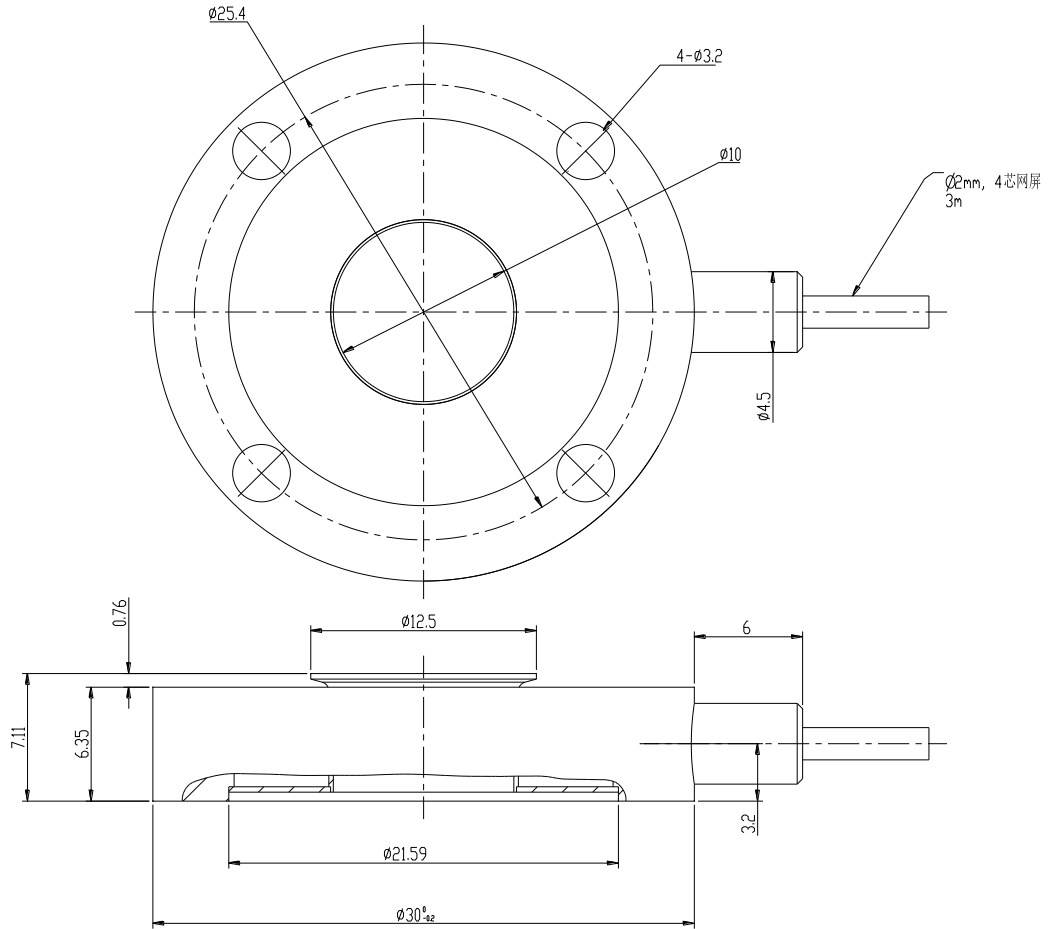
1. 中孔式设计
thru-hole type
2. 优质不锈钢材料
stainless steel
3. 单压型
compression
4. 高密封性能 IP65
high protection class

技术参数 Technical data

单位 Unit

量程 Capacity	N	100 200 500 1k
灵敏度 Sensitivity	mV/V	1.0
灵敏度误差 Sensitivity tolerance	%	-10%~+10%
非线性 Non-linearity	% of Cn	±0.2
滞后 Hysteresis	% of Cn	±0.2
蠕变 Creep、DR	%/30min	±0.2
重复性 repeatability	% of Cn	±0.2
零点误差 Zero balance	mV/V	±0.02
输入电阻 Input resistance	Ω	350±30
输出电阻 Output resistance	Ω	350±3
温度对零点影响 Temperature effective on zero	% of Cn	±0.05
温度对灵敏度影响 Temperature effective on sensitivity	% of Cn	±0.05
标准激励电压 reference voltage	V	5
工作电压范围 Operation voltage	V	1...15
额定温度范围 Nominal temperature range	°C	-10~+40
工作温度范围 Service temperature range	°C	-10~+50
储藏温度范围 Storage temperature range	°C	-25~+70
绝缘电阻 Insulation resistance	GΩ/100V	>5
安全过载 Safe load limit	% of Emax	150
极限过载 Breaking load limit	% of Emax	300
防护等级 Protection class		IP65

尺寸 Size



订购代码 Ordering Information

Type **100FA25**

Range

1: N	2: kg	3: lb
100	10	20
200	20	50
500	50	100
1k	100	200

Accuracy

- 0: 0.5%
- 1: 0.25%

Output

- 0: mv / v
- 1: 0-5V
- 2: 0-10V
- 3: 4-20mA
- 4: RS422/485
- X: Customsized

Cable Length

- 0: 1.5m
- 1: 3m
- 2: 5m

<input type="checkbox"/>	<input type="checkbox"/>	<input type="checkbox"/>	<input type="checkbox"/>
<input type="checkbox"/>	<input type="checkbox"/>	<input type="checkbox"/>	<input type="checkbox"/>