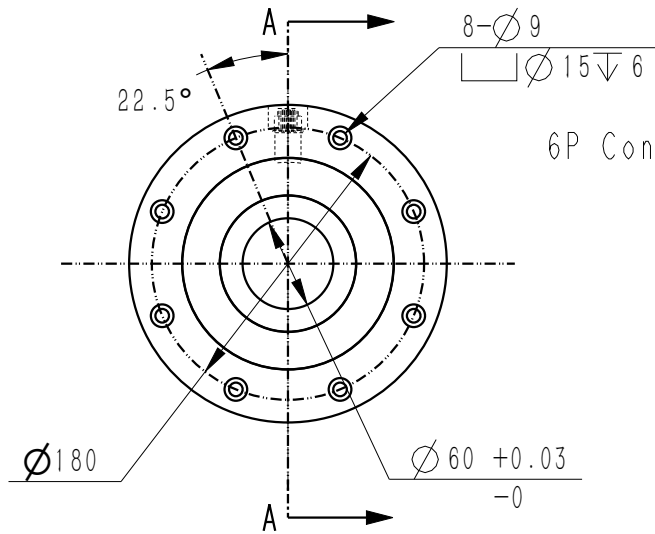
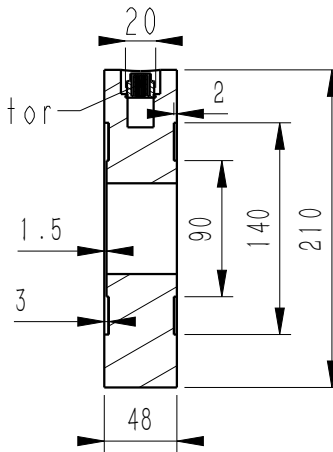


受力方向



6P Connector



A-A

MARK	DATE	ECO NO.	DESCRIPTION	REV.	DESIGN
①			首版发行	1	Eric

产品参数

测量范围 Rated capacity	100 KN
灵敏度 sensitivity	2.0mv/v
蠕变 Hysteresis	0.05% F.S.
重复性 Nonrepeatability	0.05% F.S.
非线性 Non-linearity	0.05% F.S.
零点输出 Zero Balance	±0.1%mv/v
工作温度范围 Temperature Range,operating	-20~80℃
补偿温度范围 Temperature Range,compensated	-10~60℃
温度对输出的影响 Temperature Effect on Output	±0.1% of rated output/10℃
温度对零点的影响 Temperature Effect on Zero	±0.1% of rated output/10℃
输入电阻 Output Imdedance	380±30Ω
输出电阻 Output Imdedance	350±5Ω
标准激励电压 Excitation Voltage,typical	5VDC
最大激励电压 Excitation Voltage,maximum	10VDC
绝缘电阻 Insulation Resistance	≥5000MΩ/100VDC
安全过载 Maximum Load,safe	120% of rated output
破坏性过载 Maximum Load,ultimate	150% of rated output
防护等级 Protection class	IP65
材料 construction	Stainless steel or Alloy steel
接线定义 Wiring way	Exc+: Red Exc-: Black Sig+: Green Sig-: White

- 轮辐结构设计 round pieces
- 优质合金钢材料 Stainless steel
- 防护等级 IP65 protection class IP65
- 拉压双向 tension&compression

BEDELL

苏州比得电子技术有限公司
suzhou Bedell Electric Technology Ltd

未标注尺寸公差 (±)				
尺寸	A	B	C	D
X≤4	0.05	0.1	0.2	0.3
4<X≤16	0.1	0.2	0.3	0.4
16<X≤63	0.2	0.3	0.4	0.7
63<X≤250	0.3	0.4	0.5	1.2
X>250	0.4	0.5	0.8	2.0

DESIGN	Eric	DATE	23/07/13	TITLE	Model_605A			
VERIFIED				PART NO.				
APPROVED								
					UNITS	SCALE	PAGE	REV
					mm	1:1	1/1	1