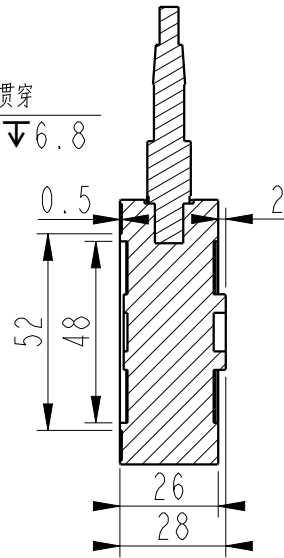
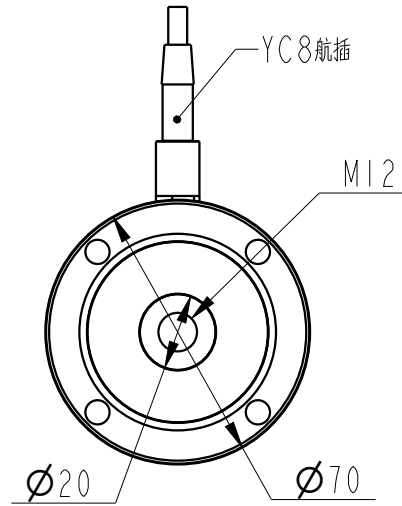


4- $\phi 6.4$ 贯穿
 $\phi 11 \downarrow 6.8$



A-A



MARK	DATE	ECO NO.	DESCRIPTION	REV.	DESIGN
①			首版发行	1	Eric

产品参数

测量范围 Rated capacity	200,500,1k,2k,5k,10k,20k,50k N
线性度 Nonlinearity	$\leq 0.1\%$ /FS
蠕变 Hysteresis	$\leq 0.1\%$ /FS
重复性 Nonrepeatability	$\leq 0.1\%$ /FS
灵敏度 Rated output, typical	2.0 mv/v
零点误差 Zero Balance	$\leq 10\%$ /FS
工作温度范围 Temperature Range, operating	-20~80°C
补偿温度范围 Temperature Range, compensated	-10~60°C
温度对输出的影响 Temperature Effect on Output	0.03% of rated output/10°C
温度对零点的影响 Temperature Effect on Zero	0.03% of rated output/10°C
输入电阻 Output Imdedance	380 \pm 30 Ω
输出电阻 Output Imdedance	350 \pm 5 Ω
标准激励电压 Excitation Voltage, typical	5VDC
最大激励电压 Excitation Voltage, maximum	10VDC
绝缘电阻 Insulation Resistance	$\geq 5000\Omega/100VDC$
安全过载 Maximum Load, safe	120% of rated output
破坏性过载 Maximum Load, ultimate	150% of rated output
防护等级 Protection class	IP67
材料 construction	Stainless steel or Alloy steel
接线定义 Wiring way	Exc+: Red Exc-: Black Sig+: Green Sig-: White

- 轮辐式结构 Pancake
- 拉压型 Tension&Compression only
- 防护等级 IP67 protection
- 定制化服务 Customizable size

BEDELL

苏州比得电子技术有限公司
 Suzhou Bedell Electric Technology Ltd

未标注尺寸公差 (\pm)

尺寸	A	B	C	D
$X \leq 4$	0.05	0.1	0.2	0.3
$4 < X \leq 16$	0.1	0.2	0.3	0.4
$16 < X \leq 63$	0.2	0.3	0.4	0.7
$63 < X \leq 250$	0.3	0.4	0.5	1.2
$X > 250$	0.4	0.5	0.8	2.0

DESIGN	Eric	DATE	23/06/30	TITLE	Model 601DB			
VERIFIED				PART NO.				
APPROVED								
					UNITS	SCALE	PAGE	REV
					mm	1:1	1/1	1