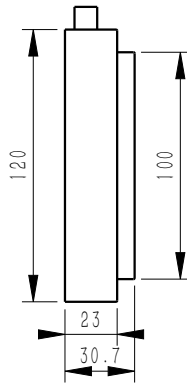
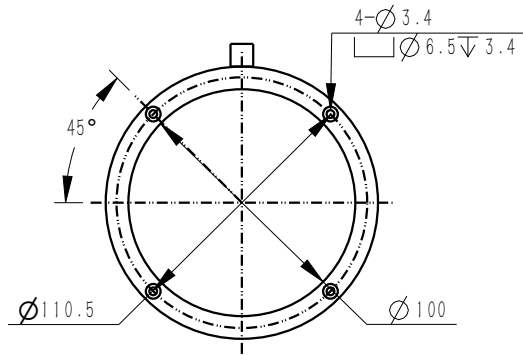
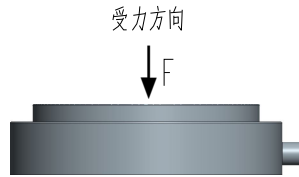
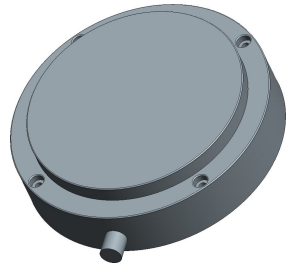


客户图



MARK	DATE	ECO NO.	DESCRIPTION	REV.	DESIGN
①			首版发行	1	Eric

产品参数

测量范围 Rated capacity	100,200,500,1K g
线性度 Nonlinearity	±0.05% F.S.
滞后 Hysteresis	±0.05% F.S.
重复性 Nonrepeatability	±0.05% F.S.
灵敏度 Rated output, typical	1.0mV/V
零点误差 Zero Balance	±10% F.S.
工作温度范围 Temperature Range, operating	-10~50°C
额定温度范围 Nominal temperature range	-10~40°C
温度对输出的影响 Temperature Effect on Output	±0.05% F.S./10°C
温度对零点的影响 Temperature Effect on Zero	±0.05% F.S./10°C
输入电阻 Output Imdedance	350±30 Ω
输出电阻 Output Imdedance	350±3 Ω
标准激励电压 Excitation Voltage, typical	5VDC
最大激励电压 Excitation Voltage, maximum	15VDC
绝缘电阻 Insulation Resistance	≥5000M Ω/50VDC
安全过载 Maximum Load, safe	120% of rated output
破坏性过载 Maximum Load, ultimate	150% of rated output
防护等级 Protection class	IP65
材料 construction	Stainless steel
接线定义 Wiring way	Exc+: Red Exc-: Black Sig+: Green Sig-: White

- 优质不锈钢材料 Stainless steel
- 微型定制设计 Small customized cell type
- 拉压型 Tension&compression
- 高密封性能 IP65 High protection class

BEDELL

苏州比得电子技术有限公司
suzhou Bedell Electric Technology Ltd

未标注尺寸公差 (±)				
尺寸	A	B	C	D
X≤4	0.05	0.1	0.2	0.3
4<X≤16	0.1	0.2	0.3	0.4
16<X≤63	0.2	0.3	0.4	0.7
63<X≤250	0.3	0.4	0.5	1.2
X>250	0.4	0.5	0.8	2.0

DESIGN	Eric	DATE	23/08/01	TITLE	Model 105B						
VERIFIED				PART NO.							
APPROVED											
				UNITS	mm	SCALE	1:1	PAGE	1/1	REV	1