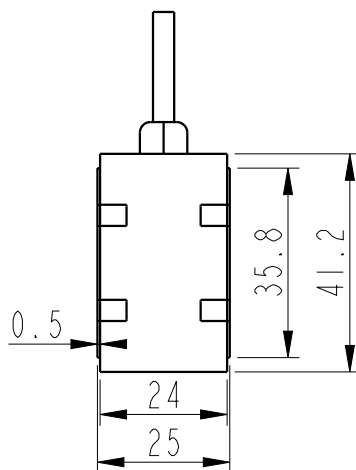
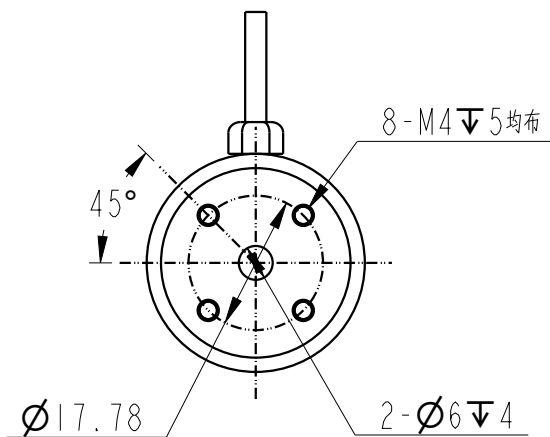
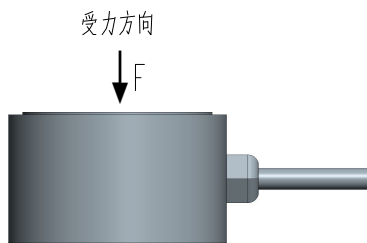
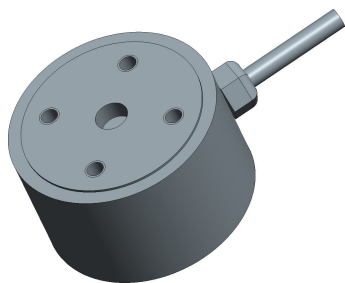


客户图



MARK	DATE	ECO NO.	DESCRIPTION	REV.	DESIGN
①			首版发行	1	Eric

产品参数

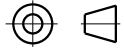
测量范围 Rated capacity	100,200,500,1K,2K,5K,10k,20k N
线性度 Nonlinearity	$\leq 0.1\%$ of Cn
蠕变 Hysteresis	$\leq 0.1\%$ of Cn
重复性 Nonrepeatability	$\leq 0.1\%$ of Cn
灵敏度 Rated output, typical	2.0 mv/v
零点误差 Zero Balance	$\leq 10\%$ of Cn
工作温度范围 Temperature Range, operating	-20~60°C
补偿温度范围 Temperature Range, compensated	-10~40°C
温度对输出的影响 Temperature Effect on Output	
温度对零点的影响 Temperature Effect on Zero	
输入电阻 Output Imdedance	380 \pm 30 Ω
输出电阻 Output Imdedance	350 \pm 5 Ω
标准激励电压 Excitation Voltage, typical	5VDC
最大激励电压 Excitation Voltage, maximum	15VDC
绝缘电阻 Insulation Resistance	$\geq 5000\Omega / 100VDC$
安全过载 Maximum Load, safe	120% of rated output
破坏性过载 Maximum Load, ultimate	150% of rated output
防护等级 Protection class	IP66
材料 construction	Stainless steel PH17-4
接线定义 Wiring way	Exc+: Red Exc-: Black Sig+: Green Sig-: White

- 高精度应变原理
- 体积超微，外形美观，安装简单灵活
- 优质不锈钢材料
- 高温应变计可选，2点标定，多点标定可选

BEDELL

苏州比得电子科技有限公司
suzhou Bedell Electric Technology Ltd

未标注尺寸公差 (±)				
尺寸	A	B	C	D
X \leq 4	0.05	0.1	0.2	0.3
4<X \leq 16	0.1	0.2	0.3	0.4
16<X \leq 63	0.2	0.3	0.4	0.7
63<X \leq 250	0.3	0.4	0.5	1.2
X>250	0.4	0.5	0.8	2.0

DESIGN	Eric	DATE	23/07/30	TITLE	Model 104D			
VERIFIED				PART NO.				
APPROVED								
					UNITS	SCALE	PAGE	REV
					mm	1:1	1/1	1