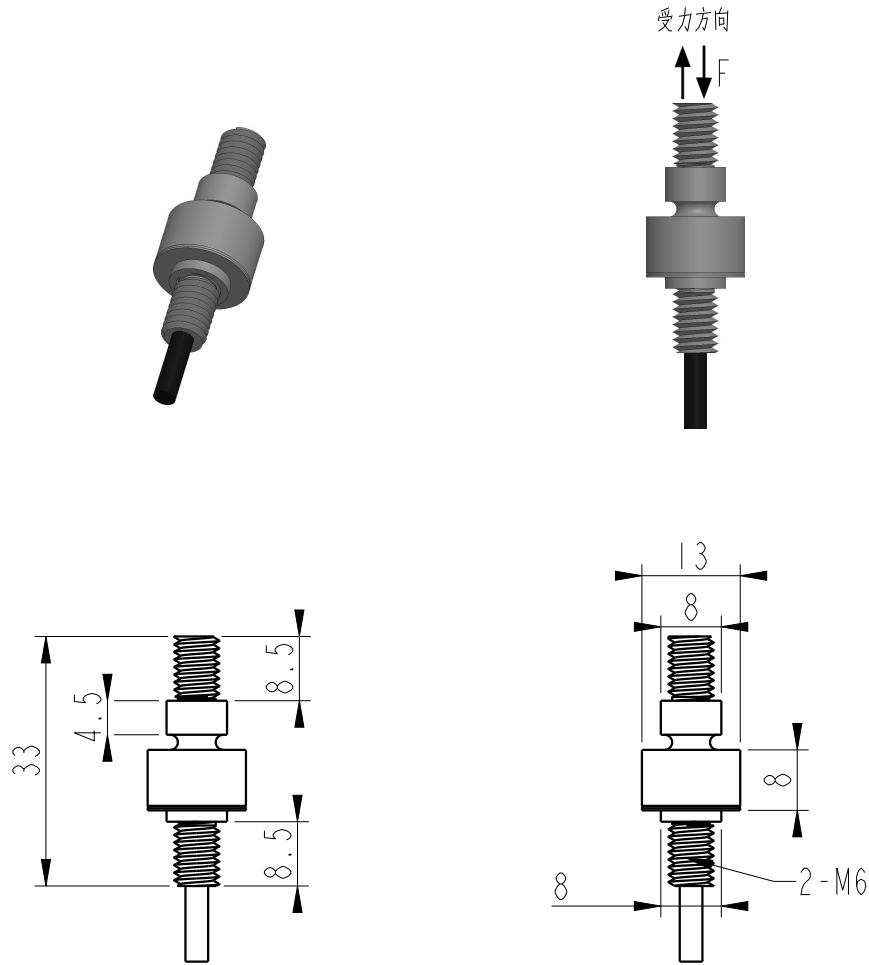


客户图



MARK	DATE	ECO NO.	DESCRIPTION	REV.	DESIGN
①			首版发行	1	Eric

产品参数

测量范围 Rated capacity	50, 100, 200, 500, 1000 N
线性度 Nonlinearity	0.5% Of rated output
蠕变 Hysteresis	0.5% of rated output
重复性 Nonrepeatability	0.5% of rated output
灵敏度 Rated output, typical	1.0 mv/v
零点误差 Zero Balance	±1% of rated output
工作温度范围 Temperature Range, operating	-20~80℃
补偿温度范围 Temperature Range, compensated	-10~60℃
温度对输出的影响 Temperature Effect on Output	0.05% of rated output/10℃
温度对零点的影响 Temperature Effect on Zero	0.05% of rated output/10℃
输入电阻 Output Imdedance	350±30Ω
输出电阻 Output Imdedance	350±5Ω
标准激励电压 Excitation Voltage, typical	5VDC
最大激励电压 Excitation Voltage, maximum	10VDC
绝缘电阻 Insulation Resistance	≥5000MΩ/100VDC
安全过载 Maximum Load, safe	120% of rated output
破坏性过载 Maximum Load, ultimate	150% of rated output
防护等级 Protection class	IP65
材料 construction	Stainless steel
接线定义 Wiring way	Exc+: Red Exc-: Black Sig+: Green Sig-: White

- 超微型设计 Small size, low profile
- 优质不锈钢材料 Stainless steel, low deflection
- 拉压型 Tension&Compression only
- 防护等级 IP65 protection
- 定制化服务 Customizable size

BEDELL

苏州比得电子技术有限公司
suzhou Bedell Electric Technology Ltd

未标注尺寸公差 (±)				
尺寸	A	B	C	D
X≤4	0.05	0.1	0.2	0.3
4<X≤16	0.1	0.2	0.3	0.4
16<X≤63	0.2	0.3	0.4	0.7
63<X≤250	0.3	0.4	0.5	1.2
X>250	0.4	0.5	0.8	2.0

DESIGN	Eric	DATE	23/03/24	TITLE	MODEL 102C		
VERIFIED				PART NO.			
APPROVED							
				UNITS	SCALE	PAGE	REV
				mm	1:1	1/1	1