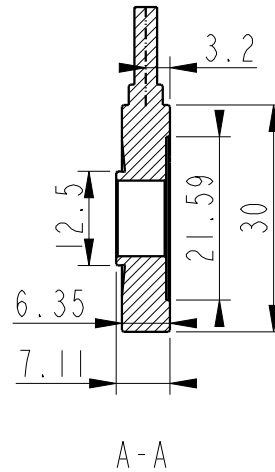
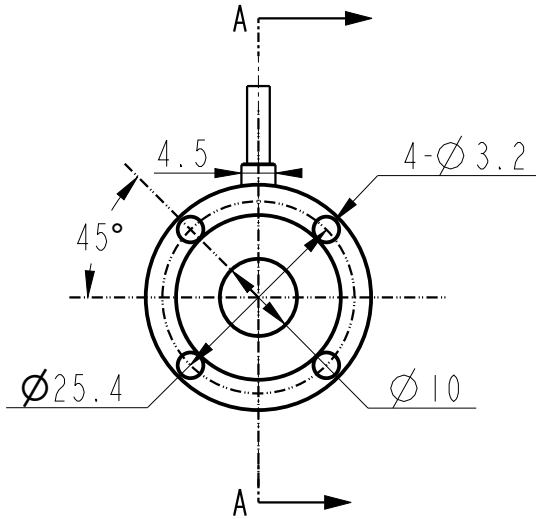
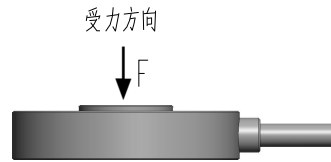


客户图



MARK	DATE	ECO NO.	DESCRIPTION	REV.	DESIGN
①			首版发行	1	Eric

产品参数

测量范围 Rated capacity	100, 200, 500, 1k N
非线性 Non-linearity	±0.2% of Cn
滞后 Hysteresis	±0.2% of Cn
重复性 repeatability	±0.2% of Cn
灵敏度 Rated output, typical	1.0 mv/v
零点误差 Zero Balance	±0.2% of Cn
工作温度范围 Temperature Range, operating	-20 ~ 80°C
补偿温度范围 Temperature Range, compensated	-10 ~ 60°C
温度对输出的影响 Temperature Effect on Output	0.05% of rated output/10°C
温度对零点的影响 Temperature Effect on Zero	0.05% of rated output/10°C
输入电阻 Output Impedance	380 ± 30 Ω
输出电阻 Output Impedance	350 ± 5 Ω
标准激励电压 Excitation Voltage, typical	5VDC
最大激励电压 Excitation Voltage, maximum	10VDC
绝缘电阻 Insulation Resistance	≥5000MΩ/100VDC
安全过载 Maximum Load, safe	120% of rated output
破坏性过载 Maximum Load, ultimate	150% of rated output
防护等级 Protection class	IP65
材料 construction	Stainless steel or Alloy steel
接线定义 Wiring way	Exc+: Red Exc-: Black Sig+: Green Sig-: White

- 中孔式设计 Thru-hole type
- 单压型 Compression only
- 防护等级 IP65 protection
- 优质不锈钢材料 Stainless steel

BEDELL

苏州比得电子技术有限公司
suzhou Bedell Electric Technology Ltd

未标注尺寸公差 (±)				
尺寸	A	B	C	D
X ≤ 4	0.05	0.1	0.2	0.3
4 < X ≤ 16	0.1	0.2	0.3	0.4
16 < X ≤ 63	0.2	0.3	0.4	0.7
63 < X ≤ 250	0.3	0.4	0.5	1.2
X > 250	0.4	0.5	0.8	2.0

DESIGN	Eric	DATE	23/06/27	TITLE	Model_100FA25						
VERIFIED				PART NO.							
APPROVED											
				UNITS	mm	SCALE	1:1	PAGE	1/1	REV	1