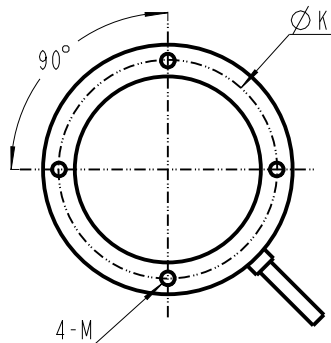
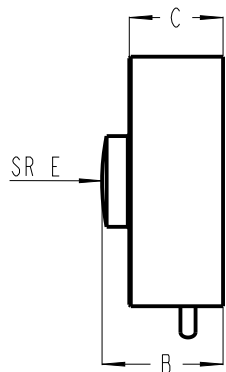
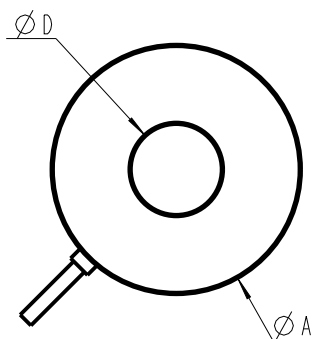
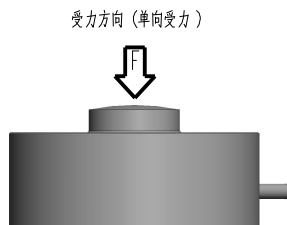
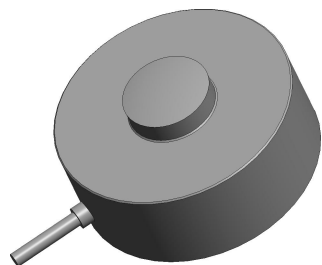


客户图



| MARK | DATE | ECO NO. | DESCRIPTION | REV. | DESIGN |
|------|------|---------|-------------|------|--------|
| ① | 3/9 | | 首版发行 | I | Eric |

| 产品参数 | |
|---------------------------------------|---|
| 测量范围 Rated capacity | 2.5k, 5k, 10k, 20k, 30k, 50k, 100k, 200k, 300k, 500k, 1000k N |
| 非线性 Nonlinearity | 0.05% Of rated output |
| 蠕变 Hysteresis | 0.05% of rated output |
| 重复性 Nonrepeatability | 0.05% of rated output |
| 灵敏度 Rated output, typical | 2.0 mv/v |
| 零点误差 Zero Balance | ±2% of rated output |
| 工作温度范围 Temperature Range, operating | -20~80 |
| 补偿温度范围 Temperature Range, compensated | -10~60 |
| 温度对输出的影响 Temperature Effect on Output | 0.03% of rated output/10 |
| 温度对零点的影响 Temperature Effect on Zero | 0.03% of rated output/10 |
| 输入电阻 Output Impedance | 350±30Ω |
| 输出电阻 Output Impedance | 350±5Ω |
| 标准激励电压 Excitation Voltage, typical | 5VDC |
| 最大激励电压 Excitation Voltage, maximum | 10VDC |
| 绝缘电阻 Insulation Resistance | ≥5000MΩ/100VDC |
| 安全过载 Maximum Load, safe | 120% of rated output |
| 破坏性过载 Maximum Load, ultimate | 150% of rated output |
| 防护等级 Protection class | IP65 |
| 材料 construction | Stainless steel |
| 接线定义 Wiring way | Exc+: Red Exc-: Black Sig+:Green Sig-:White |

- 超微型设计 Small size, low profile
- 优质不锈钢材料 Stainless steel, low deflection
- 单压型 Compression only
- 防护等级 IP65 protection
- 定制化服务 Customizable

| 量程 Capacity N | A | B | C | D | E | K | M |
|------------------|-----|----|----|----|-----|-----|-----|
| 2.5~100K | 80 | 44 | 32 | 22 | 50 | 68 | M8 |
| 150~200K | 100 | 48 | 36 | 28 | 100 | 80 | M8 |
| 300K | 126 | 54 | 40 | 35 | 100 | 101 | M10 |
| 500~1000K | 165 | 80 | 62 | 60 | 150 | 144 | M10 |

| 非标准尺寸公差 (±) | | | | |
|-------------|------|-----|-----|-----|
| 尺寸 | A | B | C | D |
| X<4 | 0.05 | 0.1 | 0.2 | 0.3 |
| 4<X<16 | 0.1 | 0.2 | 0.3 | 0.4 |
| 16<X<63 | 0.2 | 0.3 | 0.4 | 0.7 |
| 63<X<250 | 0.3 | 0.4 | 0.5 | 1.2 |
| X>250 | 0.4 | 0.5 | 0.8 | 2.0 |

BEDELL

苏州比德电子技术有限公司
suzhou Bedell Electric Technology Ltd

| | | | | | | | | |
|----------|------|------|----------|----------|------------|--|--|--|
| DESIGN | Eric | DATE | 2023/3/9 | TITLE | Model 100E | | | |
| VERIFIED | | | | PART NO. | | | | |
| APPROVED | | | | | | | | |

UNITS

SCALE

PAGE

REV

mm
1:1
1/1
1