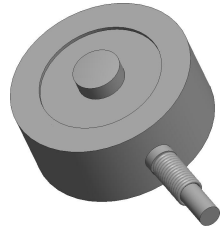
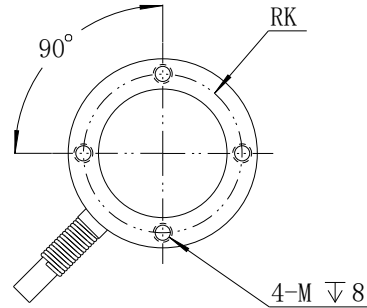
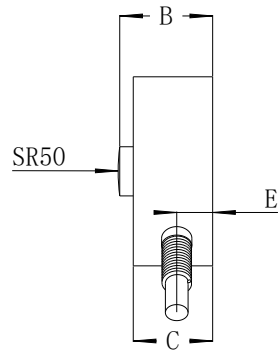
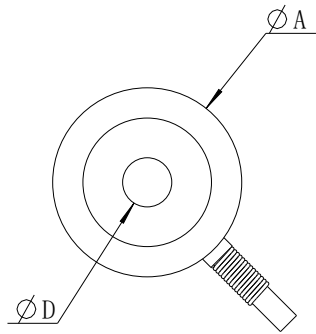
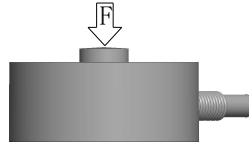


客户图

MARK	DATE	ECO NO.	DESCRIPTION	REV.	DESIGN
①	03/09		首版发行	1	Eric



受力方向 (单向受力)



产品参数	
测量范围 Rated capacity	500, 1k, 2k, 5k, 10k, 20k, 30k, 50k, 100k N
线性度 Nonlinearity	0.25% of rated output
蠕变 Hysteresis	0.25% of rated output
重复性 Nonrepeatability	0.25% of rated output
灵敏度 Rated output, typical	2.0 mv/v
零点误差 Zero Balance	±2% of rated output
工作温度范围 Temperature Range, operating	-20~80°C
补偿温度范围 Temperature Range, compensated	-10~60°C
温度对输出的影响 Temperature Effect on Output	0.05% of rated output/10°C
温度对零点的影响 Temperature Effect on Zero	0.05% of rated output/10°C
输入电阻 Output Imdedance	350±30Ω
输出电阻 Output Imdedance	350±5Ω
标准激励电压 Excitation Voltage, typical	5VDC
最大激励电压 Excitation Voltage, maximum	10VDC
绝缘电阻 Insulation Resistance	≥5000MΩ/100VDC
安全过载 Maximum Load, safe	120% of rated output
破坏性过载 Maximum Load, ultimate	150% of rated output
防护等级 Protection class	IP65
材料 construction	Stainless steel
接线定义 Wiring way	Exc+: Red Exc-: Black Sig+:Green Sig-:White

- 超微型设计 Small size, low profile
- 优质不锈钢材料 Stainless steel, low deflection
- 单压型 Compression only
- 防护等级 IP65 protection
- 定制化服务 Customizable

量程 Capacity N	A	B	C	D	E	K	M
500~20K	50	25	21	13	9.5	21	M5
30K~50K	50	25	21	16	12	21	M5
60K~100K	50	25	21	21	12	21	M5

未标注尺寸公差 (±)				
尺寸	A	B	C	D
X≤4	0.05	0.1	0.2	0.3
4<X≤16	0.1	0.2	0.3	0.4
16<X≤63	0.2	0.3	0.4	0.7
63<X≤250	0.3	0.4	0.5	1.2
X>250	0.4	0.5	0.8	2.0

BEDELL

苏州比得电子技术有限公司
suzhou Bedell Electric Technology Ltd

		DATE	TITLE	Model-100D				
DESIGN	Eric	23/3/9	PART NO.					
VERIFIED					UNITS	SCALE	PAGE	REV
APPROVED					mm	1:1	1/1	1